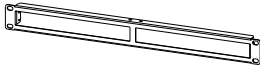


Overview

This 1U rack mount shelf is designed to mount 2 devices to the rack cabinet.

Package Contents



1U Rack Mount Shelf

1 x



Mounting Ears

2 x



Flat Head Screws

4 x

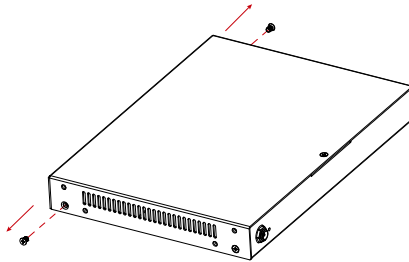
Dimensions

483mm x 43mm x 18mm / 19.02" x 1.69" x 0.71" (W x H x D)

Installation

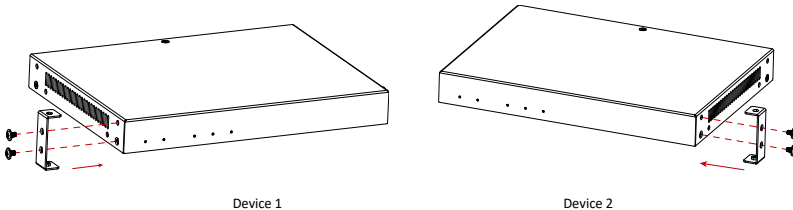
To install two devices on the 1U rack mount shelf, perform the following:

Step 1. Remove one screw from each side of both devices.



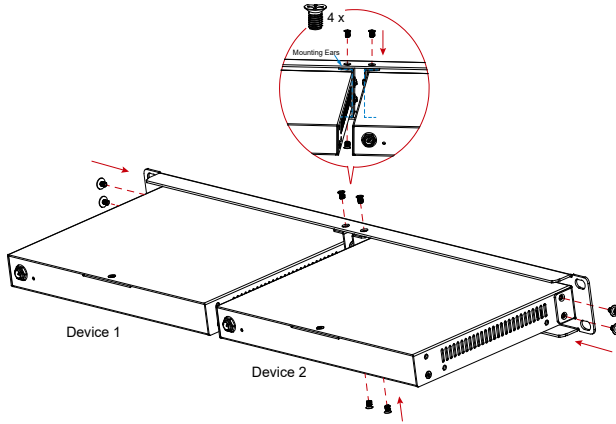
Step 2. Attach one mounting ear to the left side of one device and the other to the right side of the second device using round washer head screws (provided with the devices).

Important: To attach the two mounting ears to different sides of both devices respectively is crucial to complete the installation.



Step 3. Insert the devices into the 1U rack mount shelf, align the holes, and fasten the devices to the shelf using four flat head screws (included with the shelf) and four round washer head screws (provided with the devices).

Note: The flat head screws are applied into the top and bottom holes of the shelf to secure the mounting ears, while the round washer head ones go into the left and right side holes, as shown below.



Step 4. Mount the rack mount shelf into a rack cabinet.